

The Integral  
**Supplier**  
For  
Showroom Display  
**Solutions**



Contact Us

FLAT 10TH,BLOCK D1, GREENLAKE SQUARE,  
WEST JIHUA RD, FOSHAN.  
TEL: 0757-83050125  
Email: [sales@exedisplay.com](mailto:sales@exedisplay.com)

Factories

NO.28 CHENDONG INDUSTRY ZONE,  
XINGYE NORTH RD,SHISHAN,FOSHAN,CHINA

Copyright reserved 2020-2021

All other signs mentioned in the catalog are the  
trademarks of their respective owners and are  
protected by their copyright laws.

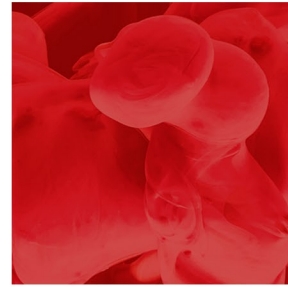


**2020**

**The Integral  
Supplier  
For  
Showroom Display  
Solutions**



The Integral Supplier For Showroom Display Solutions



### Red Series

- R7S.....10
- R7S连纹.....14
- R5.....16
- R4 Turn.....20
- R4 BS.....21
- R2.....22
- R2S.....23
- R2C.....24
- R2B .....25
- R1.....32

08



### Green Series

- G4.....36
- G4 Conner.....37
- G3.....38
- G2.....39

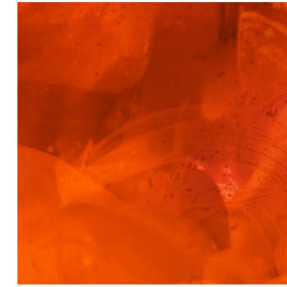
34



### White Series

- W2S.....42
- W7.....43
- W4.....43

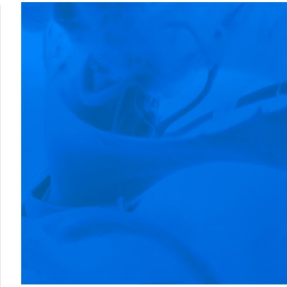
40



### Orange Series

- X-BOX1.....46
- X-BOX2.....47
- X-BOX3.....47
- O-BOX1.....48
- O-BOX2.....48
- O-BOX3.....48
- O-BOX4.....49
- O-BOX5.....49
- O-BOX-Lite....49
- O-BOX 8P+1F....49

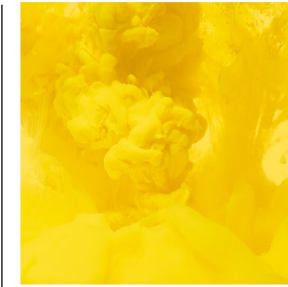
44



### Blue Series

- B1.....52
- B2.....53

50



### Yellow Series

- Y1.....56
- Y4.....56
- Y12.....56

54



### Violet Series

58

[www.exedisplays.com](http://www.exedisplays.com)  
[sales@exedisplay.com](mailto:sales@exedisplay.com)  
 0757-83050125  
 exedisplay



## Company Introduction

As an integral supplier for showroom display Solutions, EXE.DISPLAYS has become one of the top suppliers for display solutions in building materials. With years of experience, EXE.DISPLAYS has developed a complete series of flexible, smooth, quiet and durable displays system. It has been changing the way of displaying building materials.

With the sharp design and reliable products, EXE. Displays has become the first choice for the main clients including Ceramic Tiles, Wood Flooring, Wall Materials, Doors, etc.





# Red Series

[www.exedisplays.com](http://www.exedisplays.com)



## Showroom&Sales

Main Showroom:  
flat 10th,block D1, greenlake square,  
west Jihua Rd, Foshan.  
+86-757-83050125  
Showroom@Ceramic City: A526A, 5th Floor,  
Ceramic City Foshan.  
+86-757-82725735

[sales@exedisplay.com](mailto:sales@exedisplay.com)



web



wechat

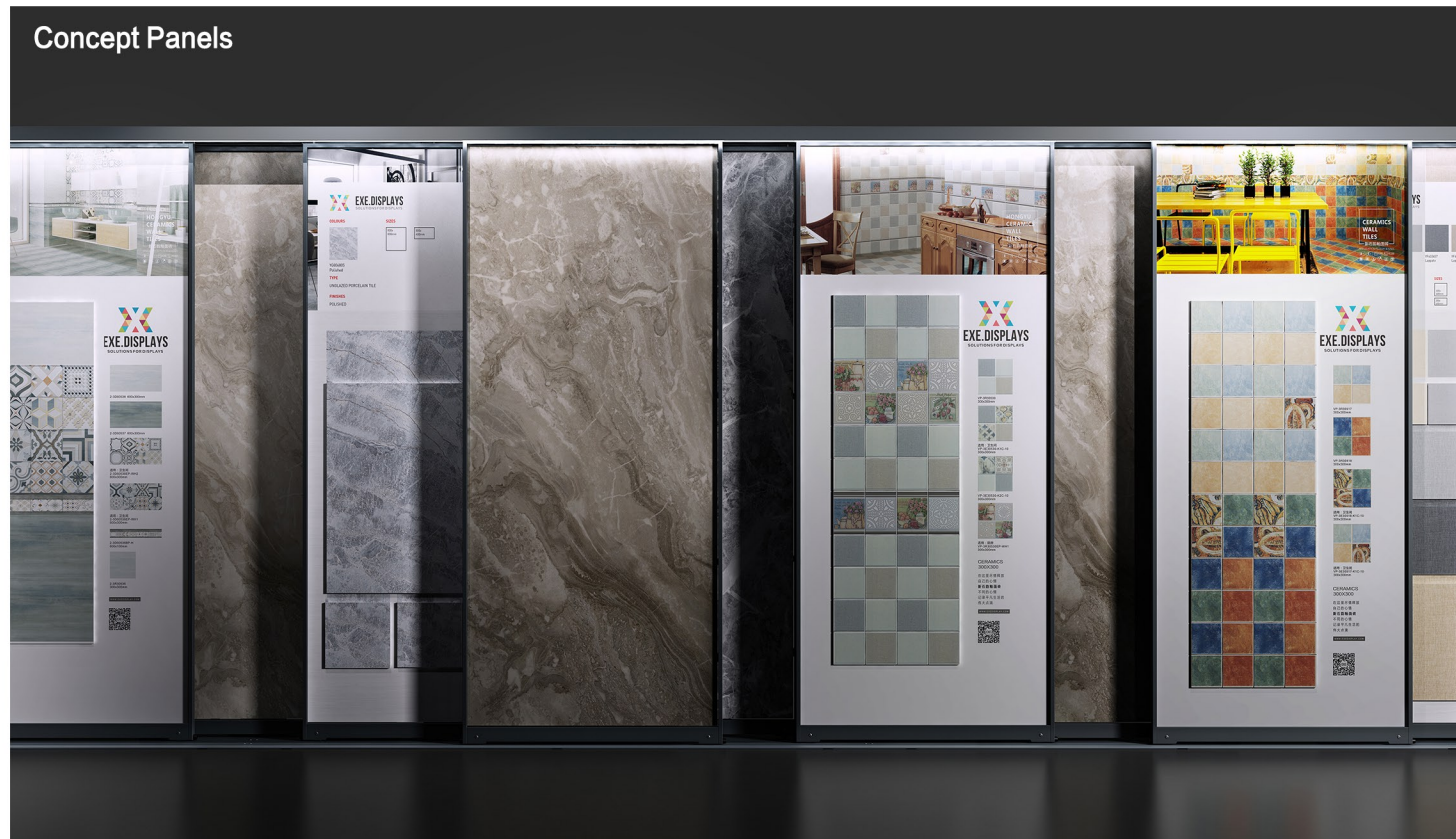
[www.exedisplays.com](http://www.exedisplays.com)



# The All New R7S, Display Samples Like Magic

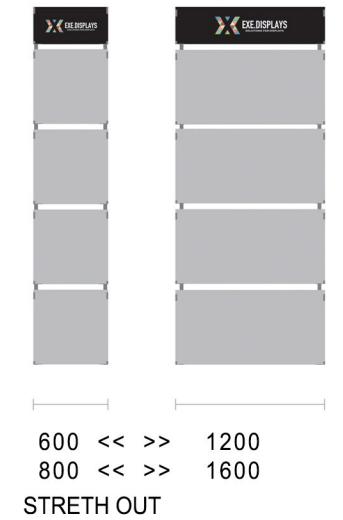
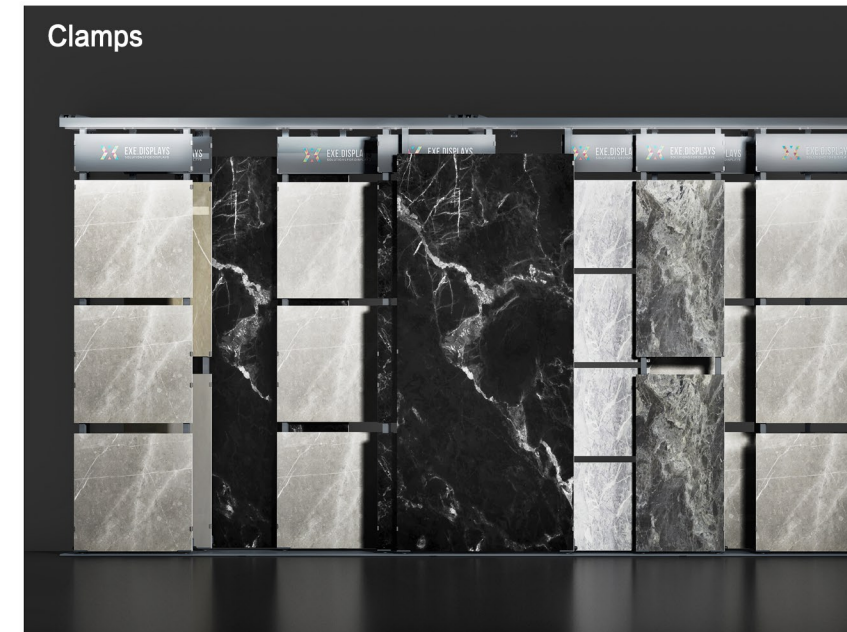






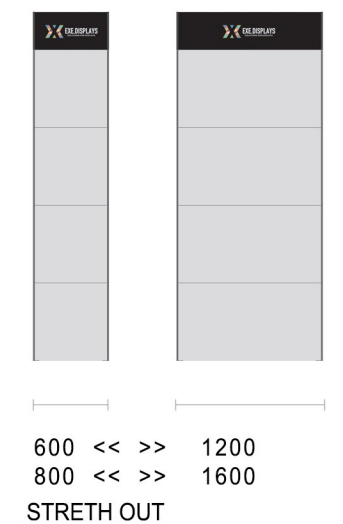
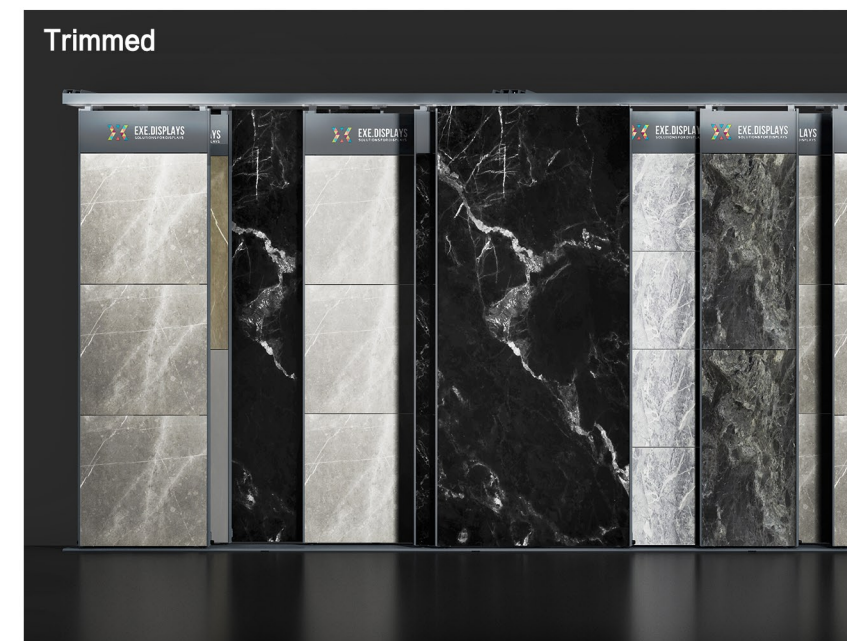
1. Super slim design, only 40cm for 6 layers. Easily move all panels without any difficulty.
2. Panels run smoothly and quietly with heavy load.
3. Flexible customized to any size, from 3–8 layers.
4. Extendible panels support samples in any size, from regular tiles to big slabs.
5. Invisible integrated lighting for elegant and bright look.

### Adjustable Panels With Clamps Or Trimmed



Custom made to any size

Adjustable panels for all sample sizes



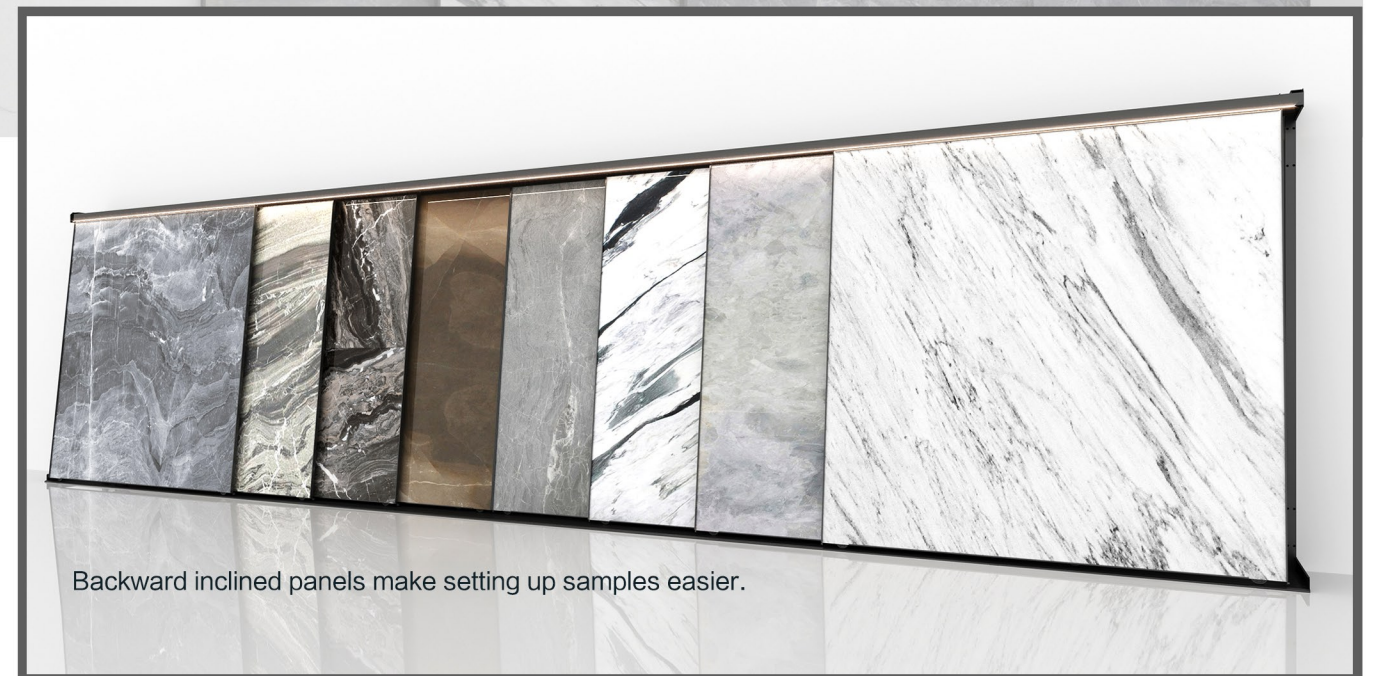


# R7S Special Edition for Slabs



Vertical panels for real wall

The Special super big panels are for multipal big slabs on one panel, showing true images on limited wall space.



Backward inclined panels make setting up samples easier.



# The Invisible Panel System

## R5



- 1** **Protect Our Environment**  
 No more Glue and no more MDF, the R5 is the latest sliding panels system that saves all your troubles including: time, labor and pollution.

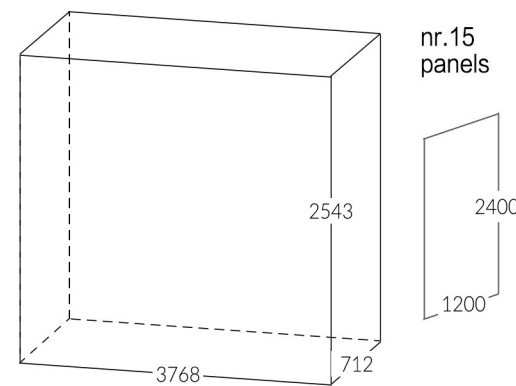
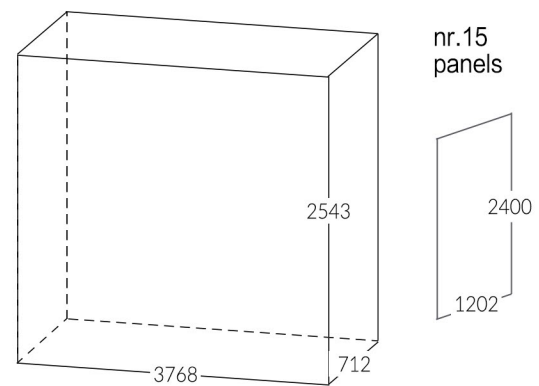
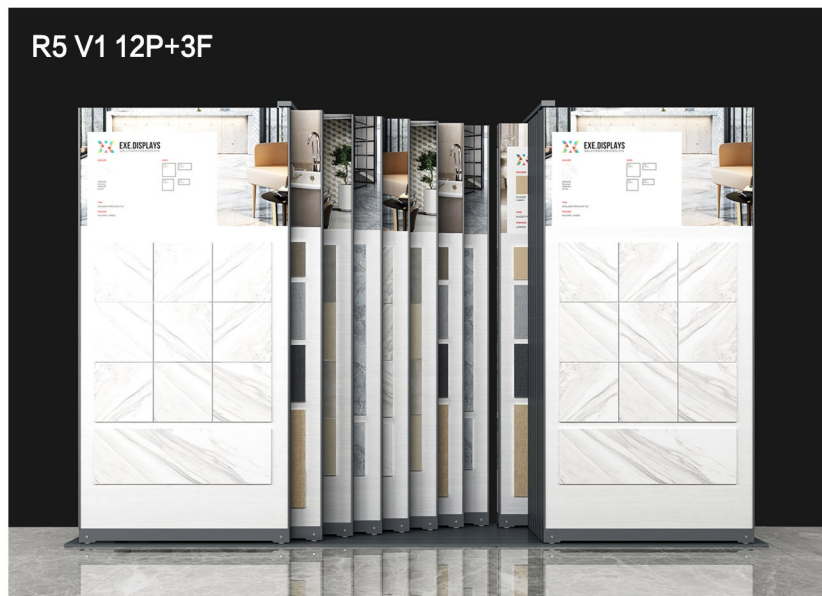
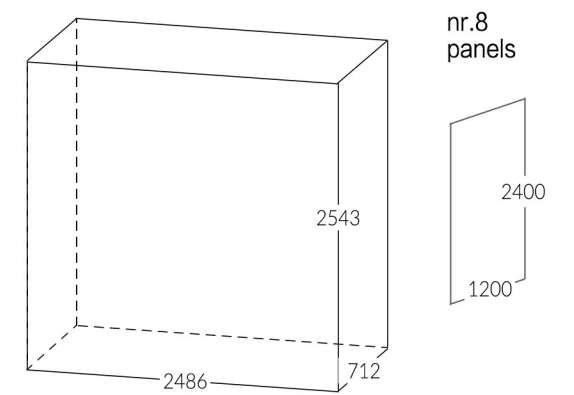
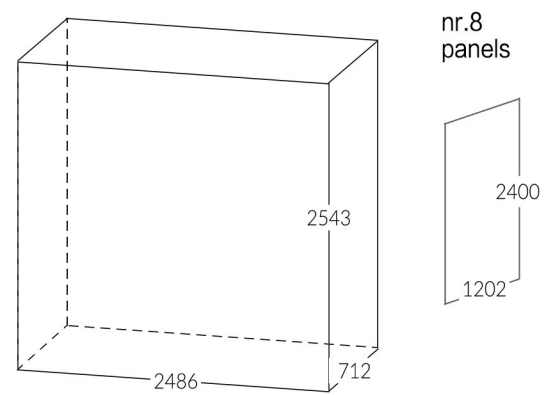

- 2** **Multipul Functions**  
 According to variety of your products, we intgrate two functions for R5: No-Glue-Hanging system, and traditional concept display system.


- 3** **Elegance**  
 The R5 is designed to show maximal of your products in a minimal space, with perfection.

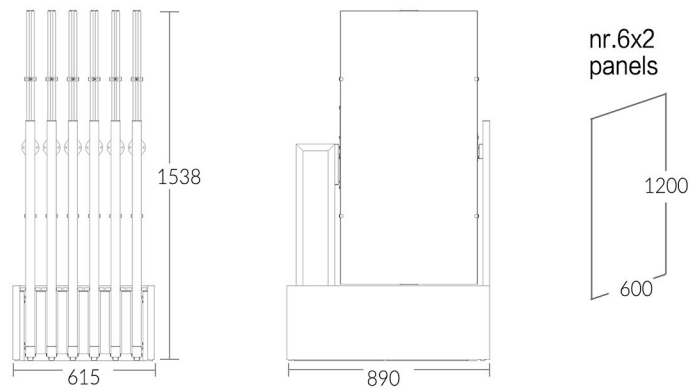

- ECO 4** **Economic**  
 The R5 helps us lower down the cost with its simplicity design.

The concept panel displays a real scene with your products, integrated graphics and nice trimmed.

Use clamps or trims to fix samples, that makes easy to change samples..



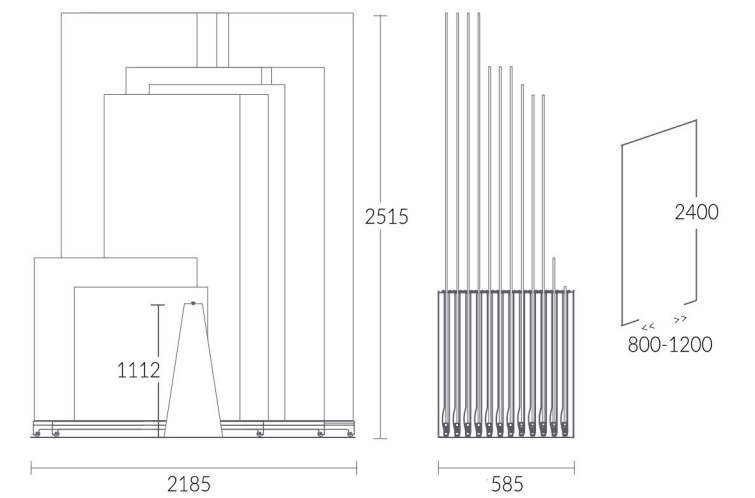




Available Panels  
750x1500, 800x800, 900x900

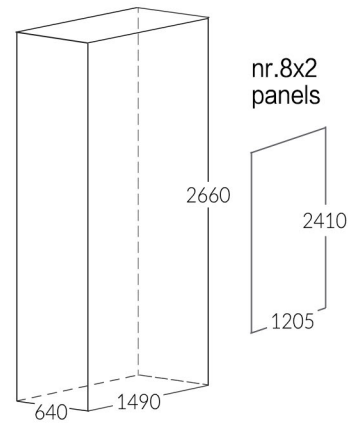
The R4 TURN is a professional compact display stand, The turning panels gives best showing perspective to tiles.

R4 BS



Designed for big slabs, with 6 panels for 12 samples, easy to install with the free standing structure.

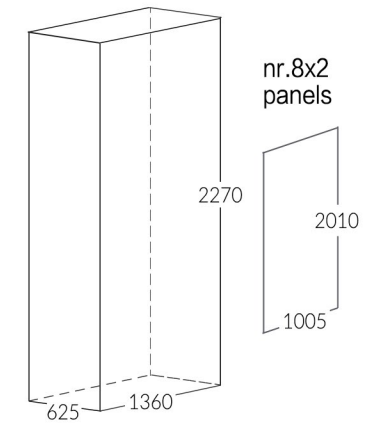
R2



Available Panels  
1005X2010

R2 is a built-in panels system showing both sides, it doubles the utility of your space.

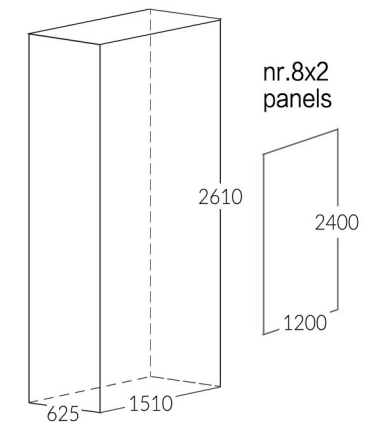
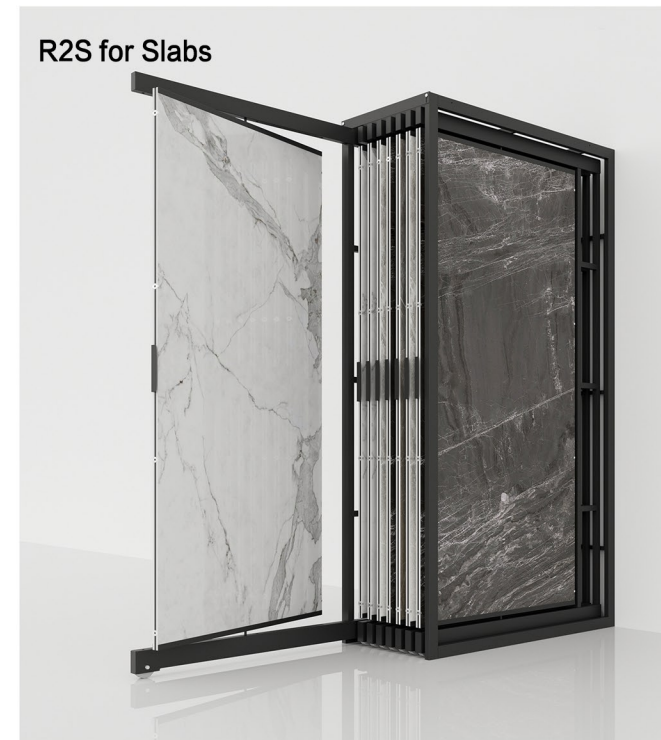
R2S



The turnable double side panel system for even better display angles.



R2S for Slabs

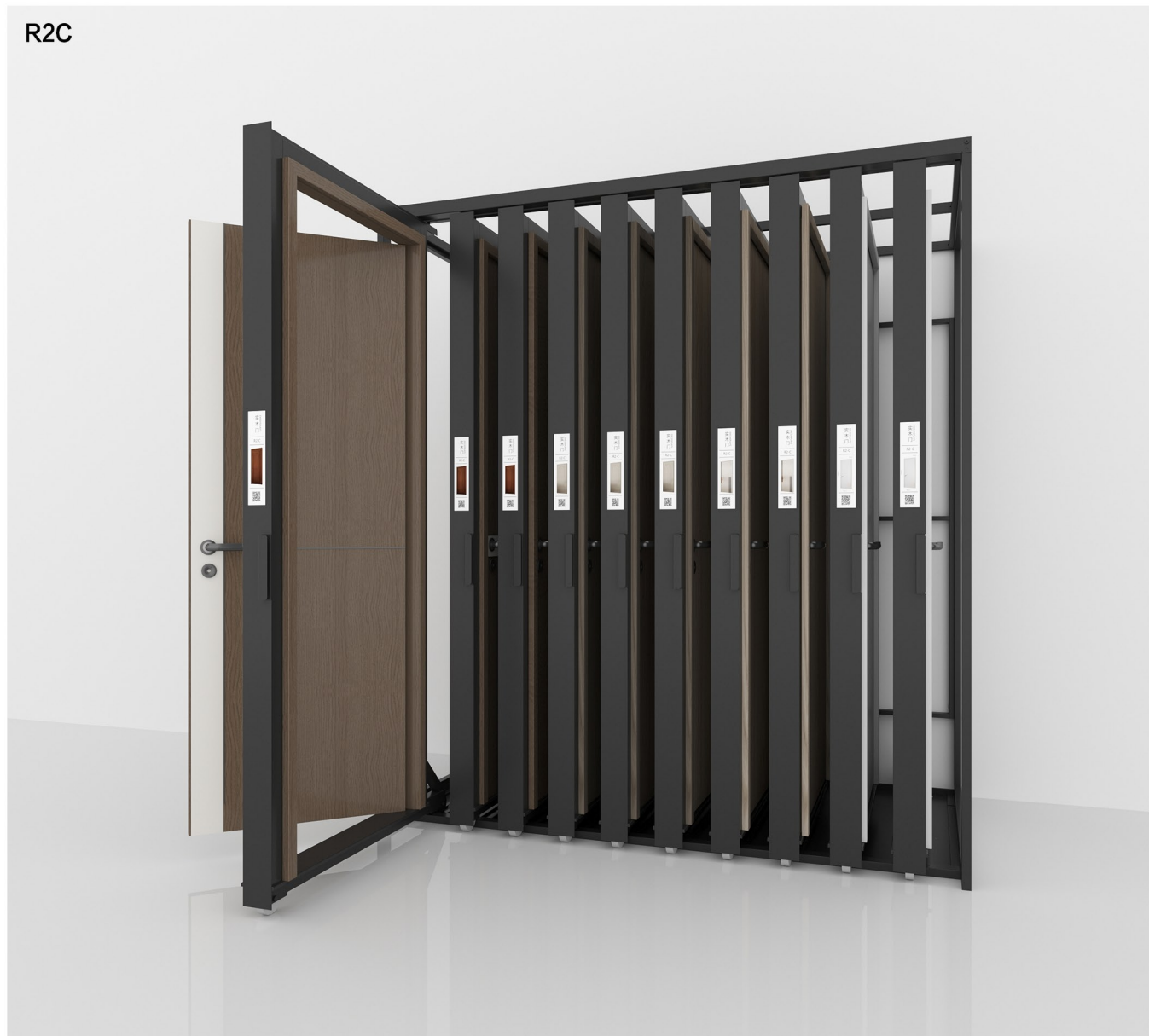


Available Panels  
800X2400

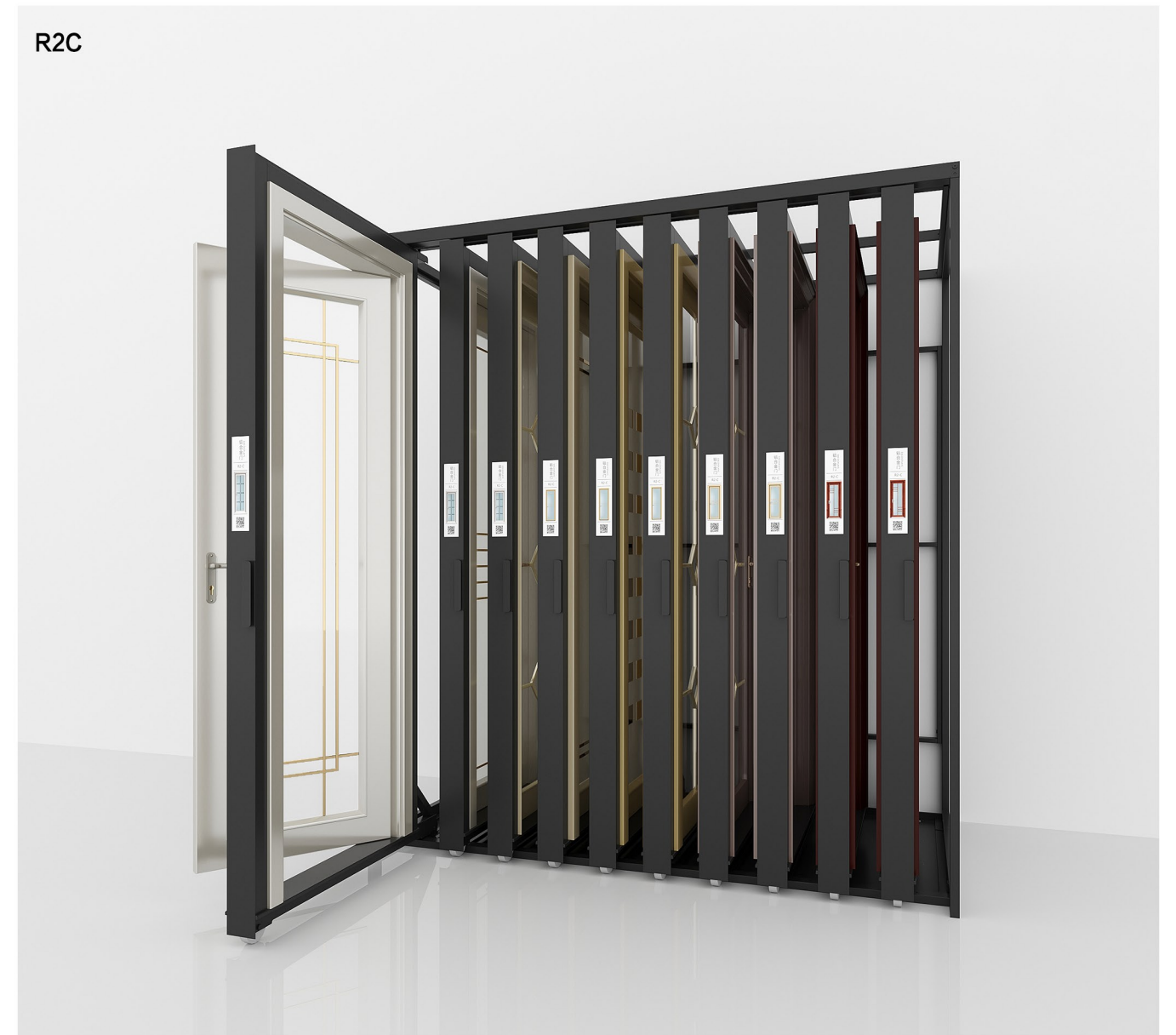
The turnable double side panel system specially for big slabs.



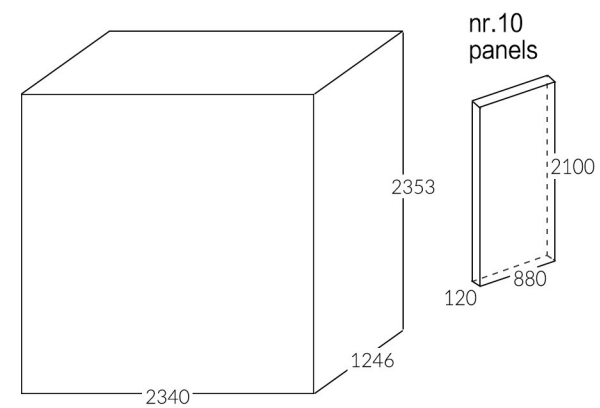
R2C



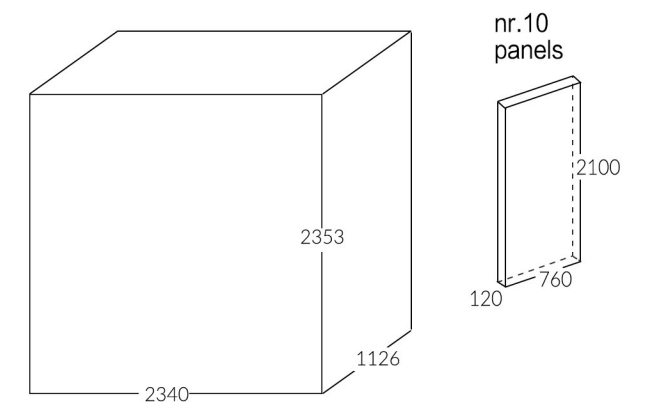
R2C



A compact display unit for large number of door sets, including accessories, with door opening function.



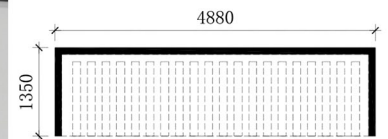
A compact display unit for large number of door sets, including accessories, with door opening function.



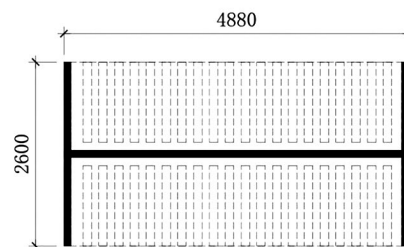
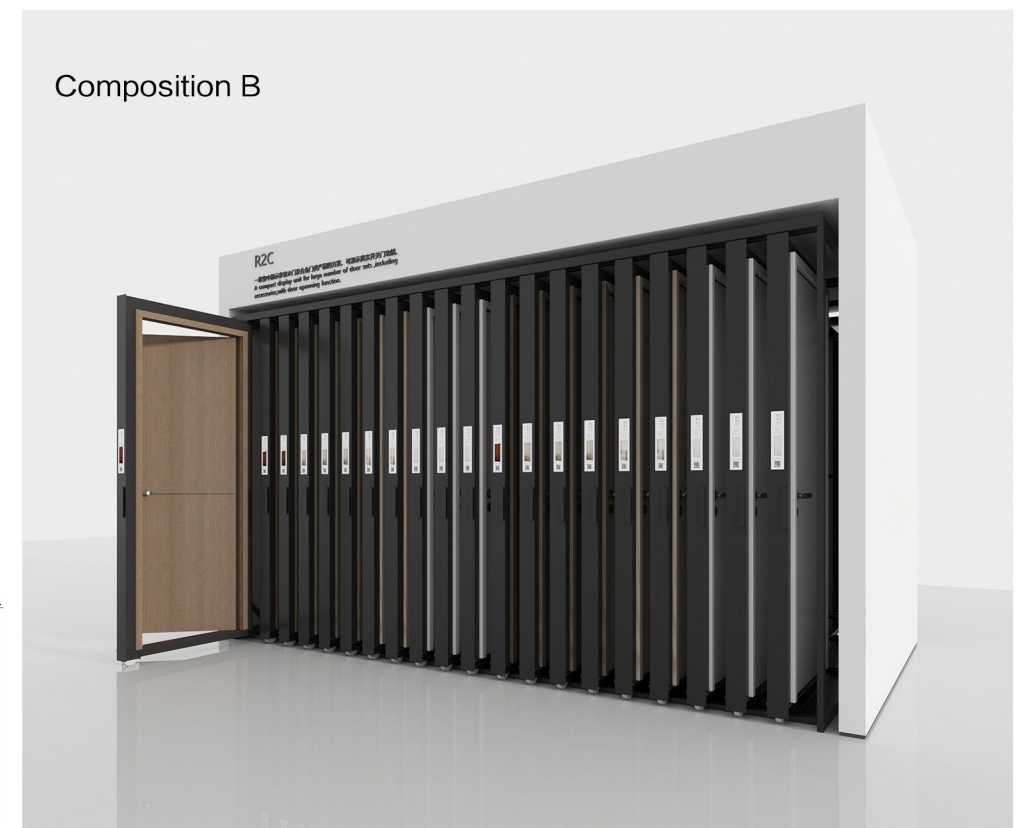
R2B For Doors



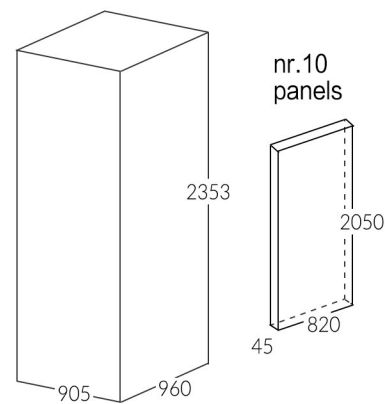
Composition A



Composition B

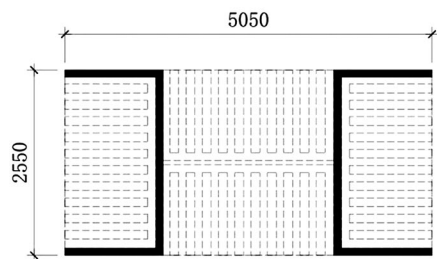


A compact display unit for large number of door patterns.

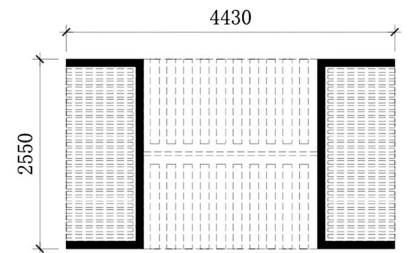




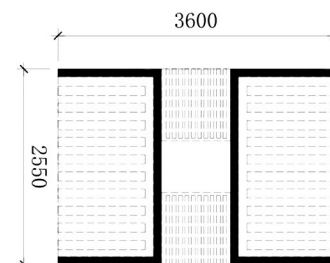
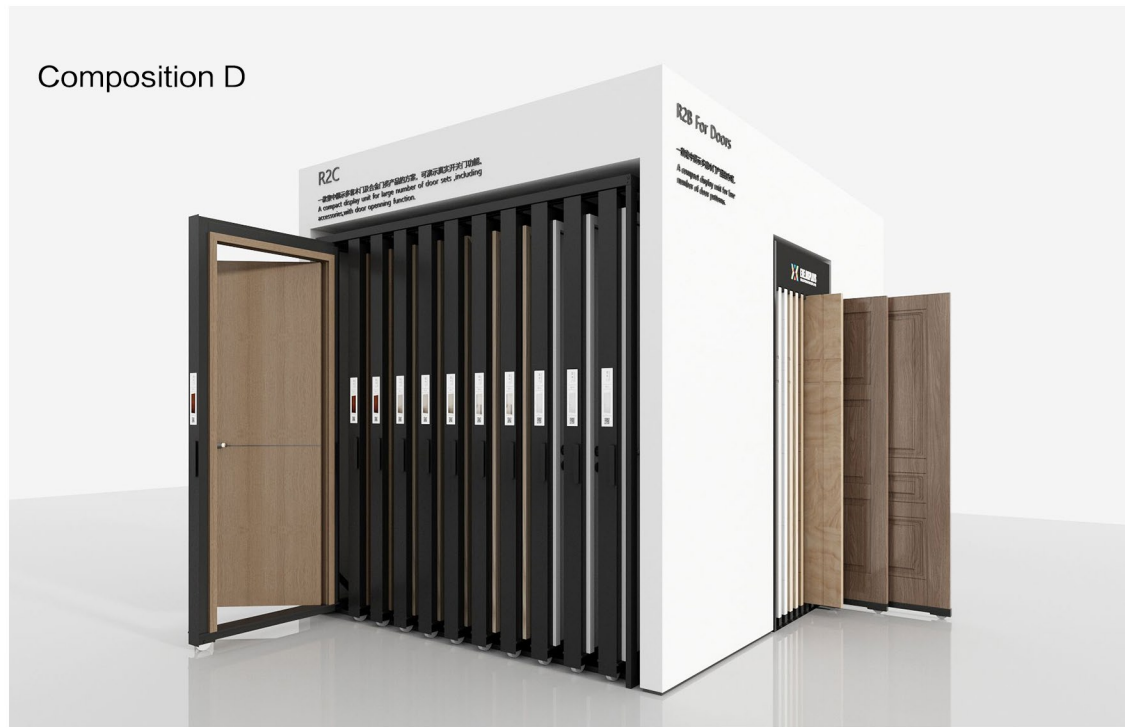
Composition C



Composition E



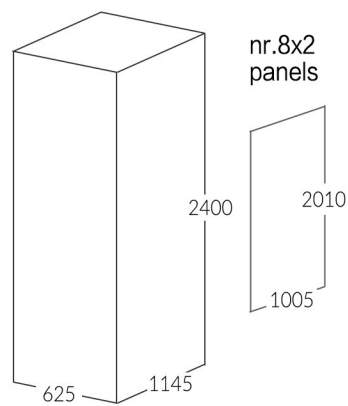
Composition D



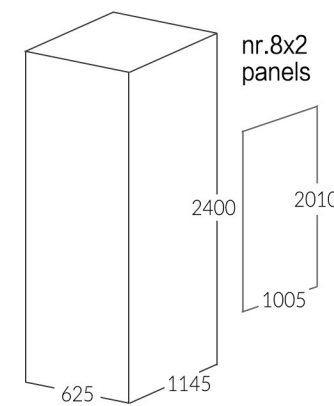
R2B for Floorboards



R2B for Ceramics



A concept display panel system for floorboards and wall tiles etc.



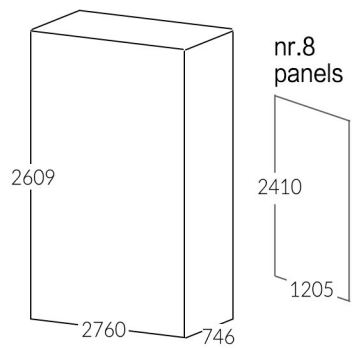
A concept display panel system for floorboards and wall tiles etc.



R1 6P+2F



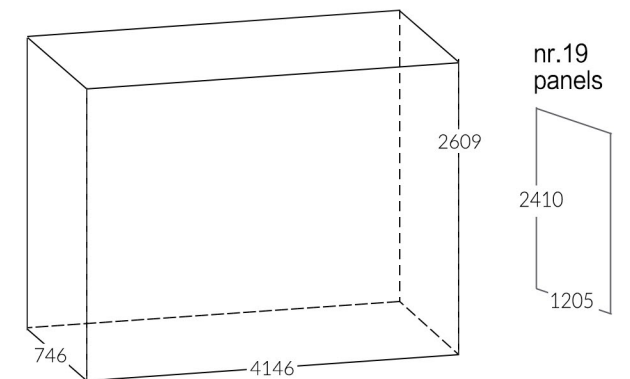
R1 16P+3F



nr.8 panels

R1 is a traditional slider display with box structure. It's free-standing or built-in to walls, good to show both your products and communications.

Available Panels  
1005x2010



nr.19 panels

Available Panels  
1005x2010



# Green Series

[www.exedisplays.com](http://www.exedisplays.com)



## Showroom&Sales

Main Showroom:  
flat 10th,block D1, greenlake square,  
west Jihua Rd, Foshan.  
+86-757-83050125  
Showroom@Ceramic City: A526A, 5th Floor,  
Ceramic City Foshan.  
+86-757-82725735

[sales@exedisplay.com](mailto:sales@exedisplay.com)



web



wechat

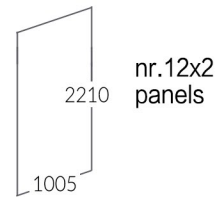
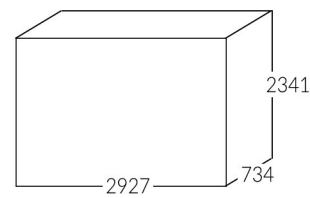
[www.exedisplays.com](http://www.exedisplays.com)



G4 is a classic display with panels turn like book pages, it shows 2 panels at all time.

G4 Corner is artfully designed to fit in the corner of two walls, which makes a perfect linkup.

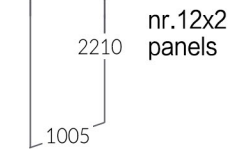
G4 24P  
for Ceramics



Available Panels

Panels size:	1005*2010
Displays size:	W:2927*D:734*H:2141

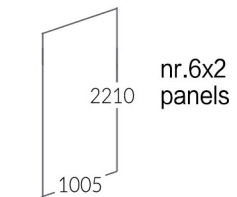
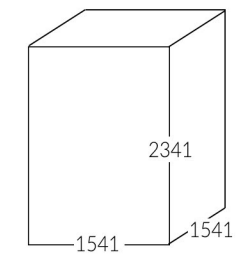
G4 24P  
for Floorboards



Available Panels

Panels size:	1005*2010
Displays size:	W:2927*D:734*H:2141

G4 Corner 12P



nr.6x2  
panels

Available Panels

Panels size:	1005*2010
Displays size:	W:1541*D:1541*H:2141

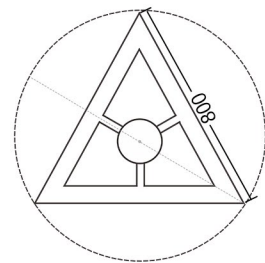
G4 Combination



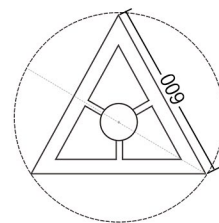


The serie "G" is a kind of displays that show 2 or more panels by turning .

Available Panels  
600x600,750x750,800x800

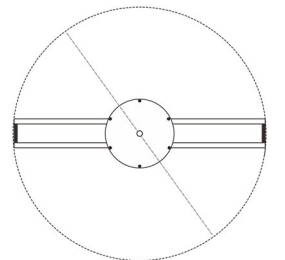


φ 980  
Rotation diameter



φ 750  
Rotation diameter

φ 610  
Rotation diameter





# White Series

[www.exedisplays.com](http://www.exedisplays.com)



## Showroom&Sales

Main Showroom:  
flat 10th,block D1, greenlake square,  
west Jihua Rd, Foshan.  
+86-757-83050125  
Showroom@Ceramic City: A526A, 5th Floor,  
Ceramic City Foshan.  
+86-757-82725735

[sales@exedisplay.com](mailto:sales@exedisplay.com)



web



wechat

[www.exedisplays.com](http://www.exedisplays.com)

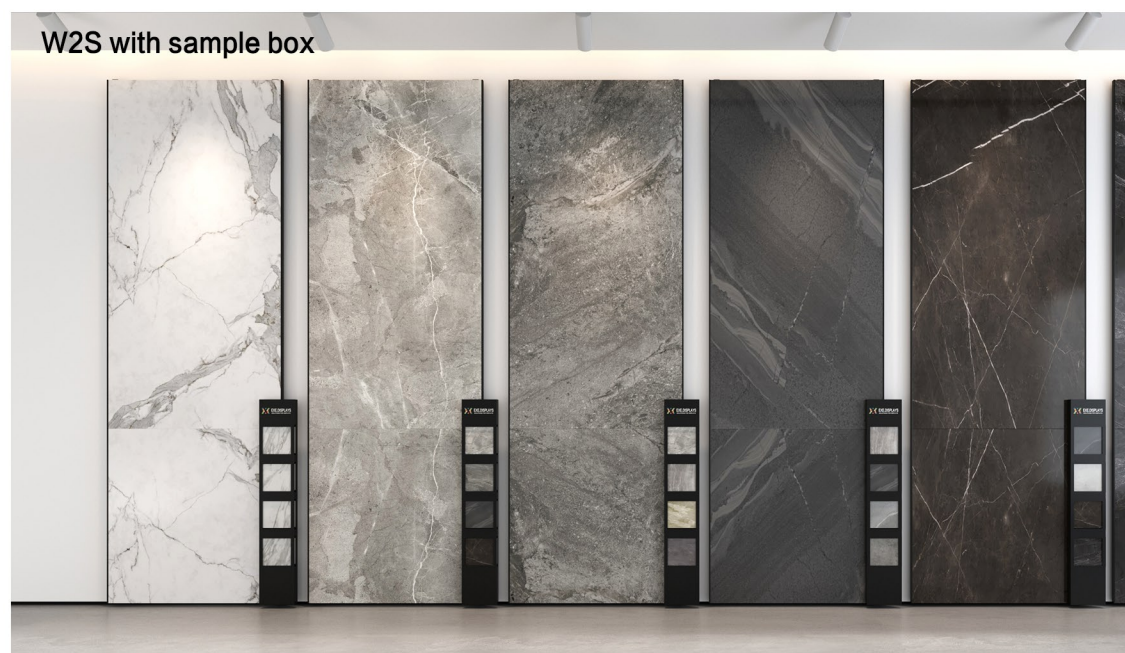




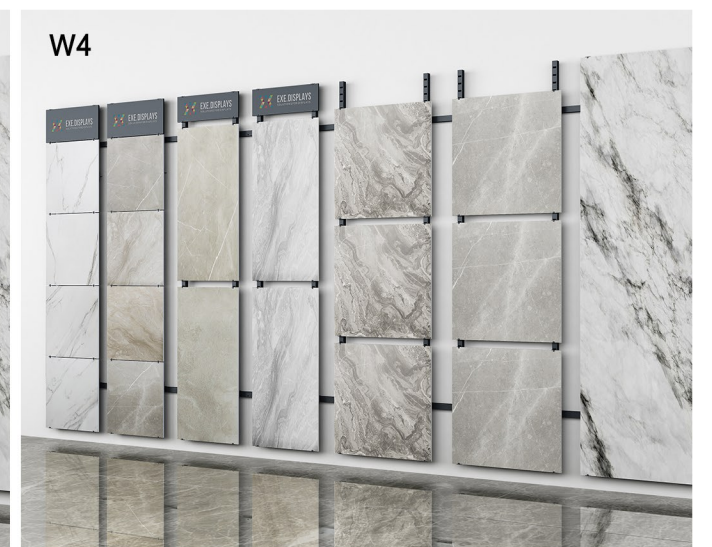
A beautiful and flexible wall mounted display system, accomadating all sample sizes. Samples are detachable for easy change.



A modular wall display system that displays samples of vavious materials and sizes, freely and flexibly.



A detachable sample box is optional to display small pieces of the item, which is acessible to the customers.



W4 is a super flexible wall mounted display solution, adjustment of 5cm each interval in both horizontal and vertical direction, accomadating all size of samples by clamps, trims or both.



# Orange Series

[www.exedisplays.com](http://www.exedisplays.com)



## Showroom&Sales

Main Showroom:  
flat 10th,block D1, greenlake square,  
west Jihua Rd, Foshan.  
+86-757-83050125  
Showroom@Ceramic City: A526A, 5th Floor,  
Ceramic City Foshan.  
+86-757-82725735

[sales@exedisplay.com](mailto:sales@exedisplay.com)



web

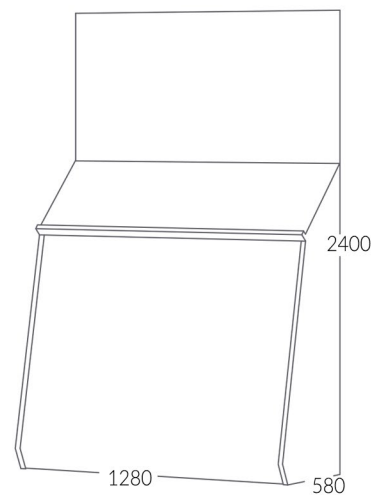


wechat

[www.exedisplays.com](http://www.exedisplays.com)



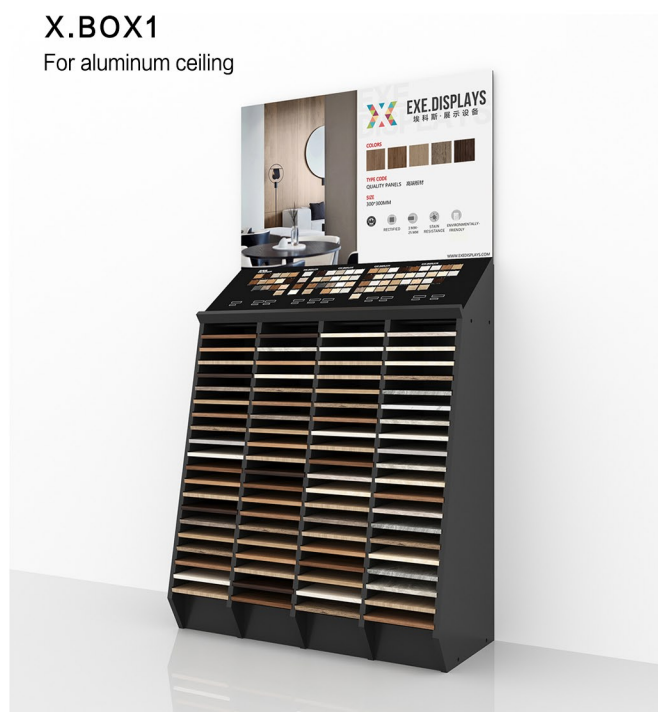
**X.BOX1**  
For ceramics ( up to 80 samples )



**X.BOX1**  
For timber samples

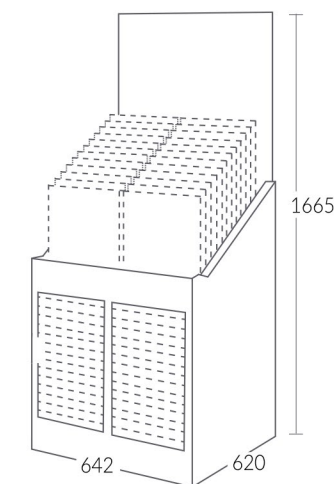
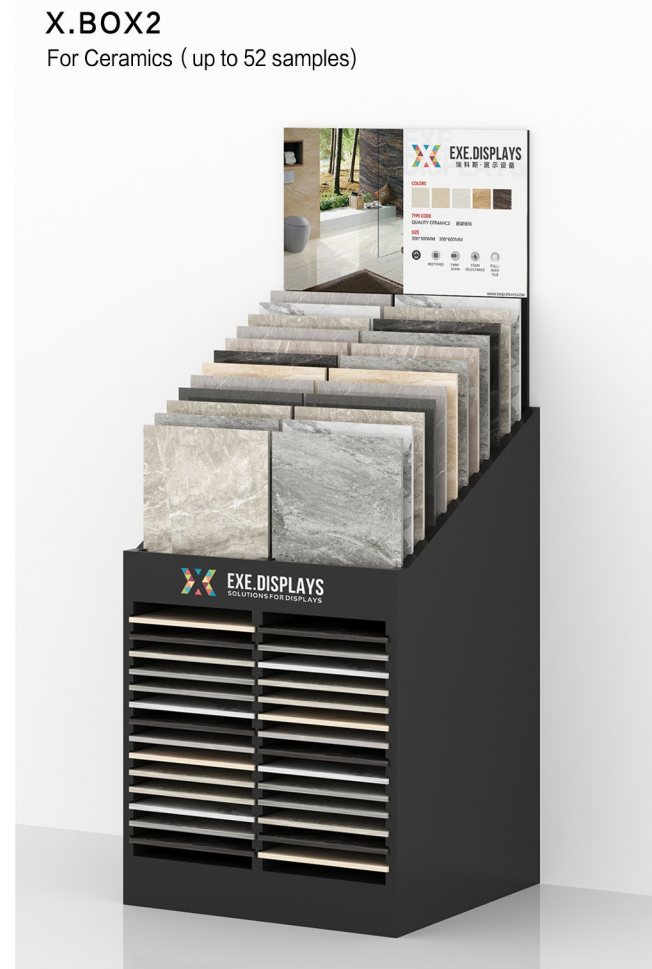


**X.BOX1**  
For aluminum ceiling

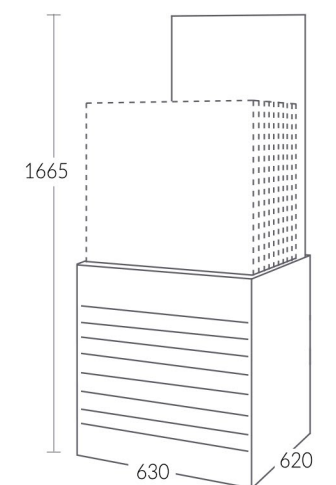


The Box series can use alone or make a composition according to your space, the well designed cabinets can show a large number of product pieces in a good order. It displays different kinds of materials.

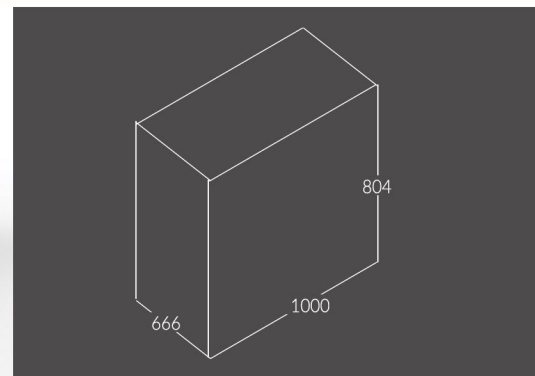
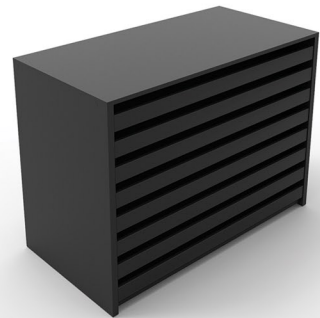
**X.BOX2**  
For Ceramics ( up to 52 samples )



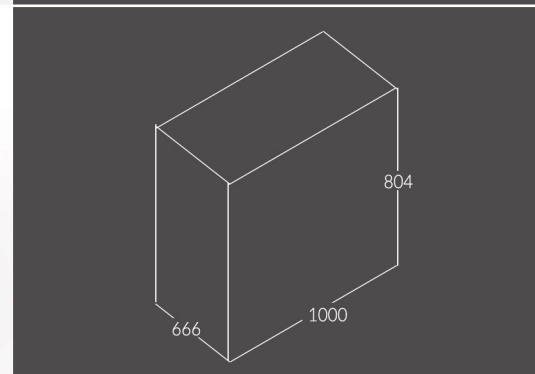
**X.BOX3**  
For ceramics/wood flooring ( up to 20 samples )



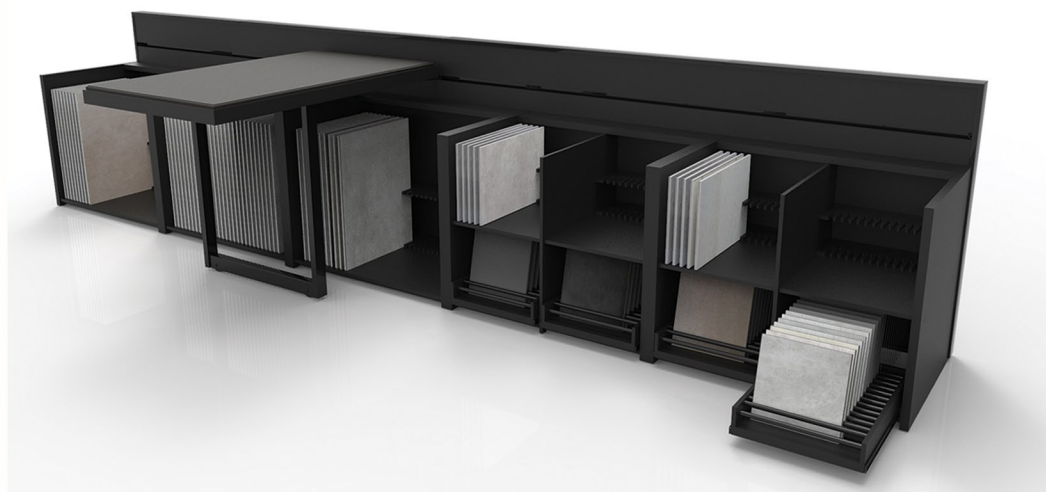
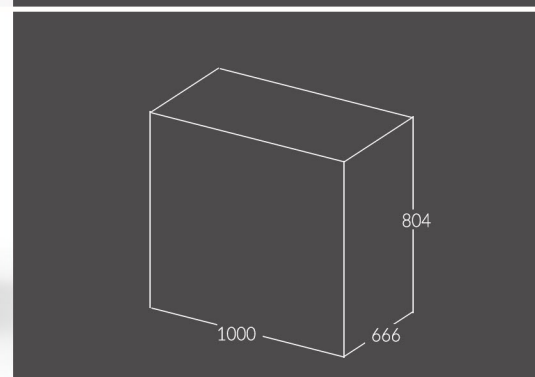
O.BOX1



O.BOX2

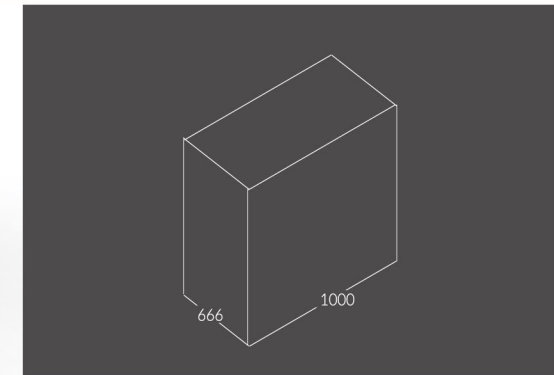


O.BOX3

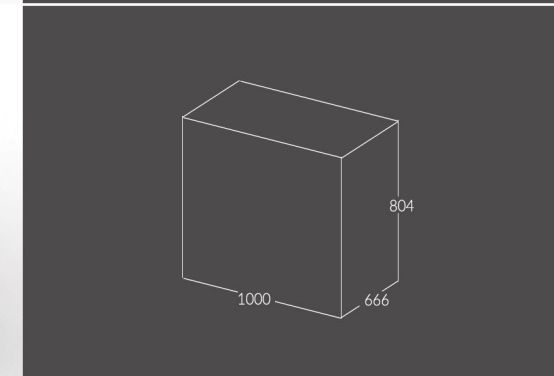
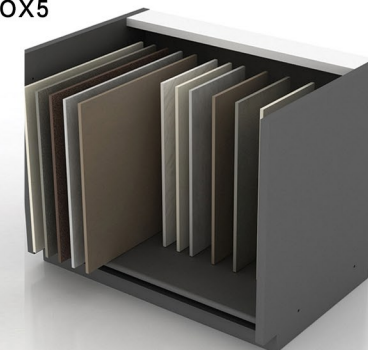


The Box series can use alone or make a composition according to your space, the well designed cabinets can show a large number of product pieces in a good order.

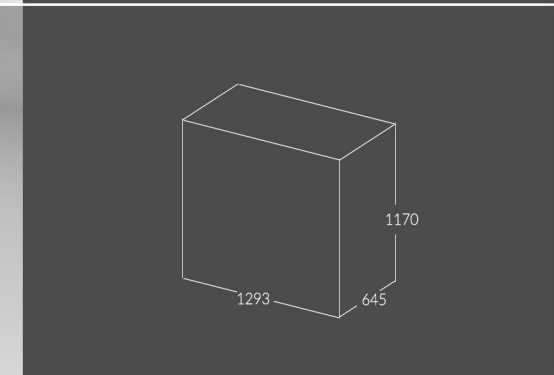
O.BOX4



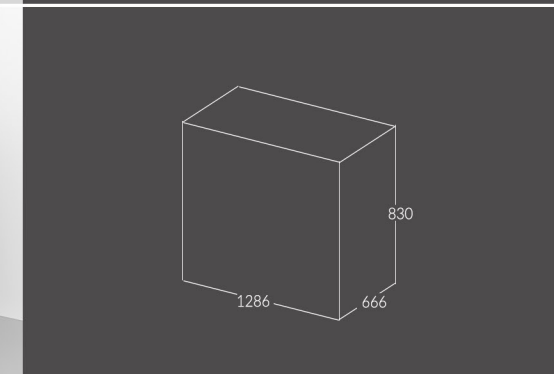
O.BOX5



O.BOX Lite 20P



O.BOX 8P+1F





# Blue Series

[www.exedisplays.com](http://www.exedisplays.com)



## Showroom&Sales

Main Showroom:  
flat 10th,block D1, greenlake square,  
west Jihua Rd, Foshan.  
+86-757-83050125  
Showroom@Ceramic City: A526A, 5th Floor,  
Ceramic City Foshan.  
+86-757-82725735

[sales@exedisplay.com](mailto:sales@exedisplay.com)



web



wechat

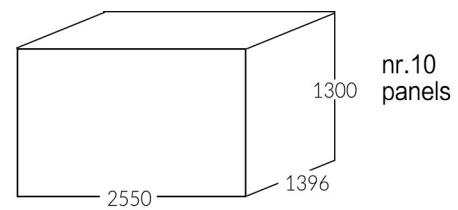
[www.exedisplays.com](http://www.exedisplays.com)



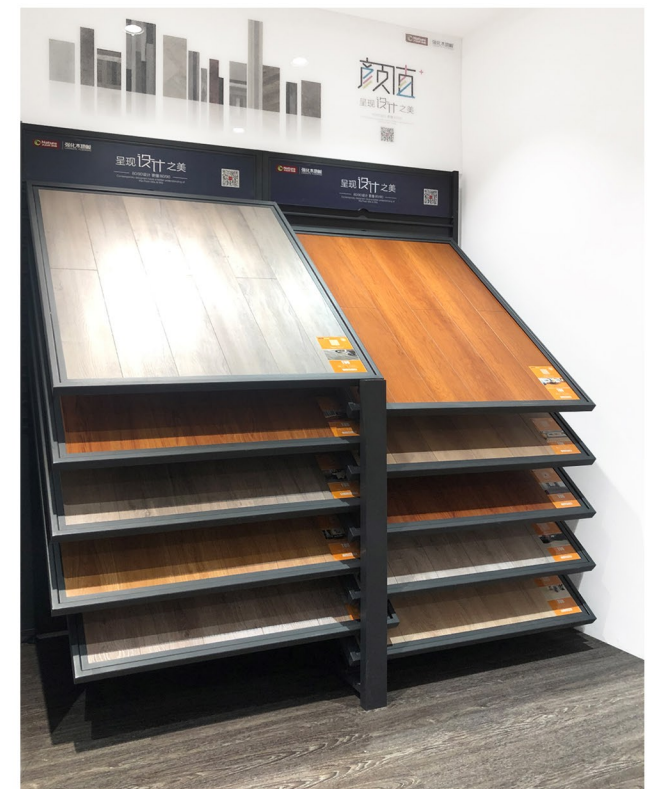
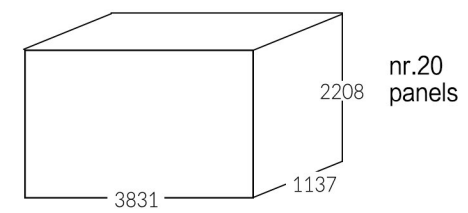
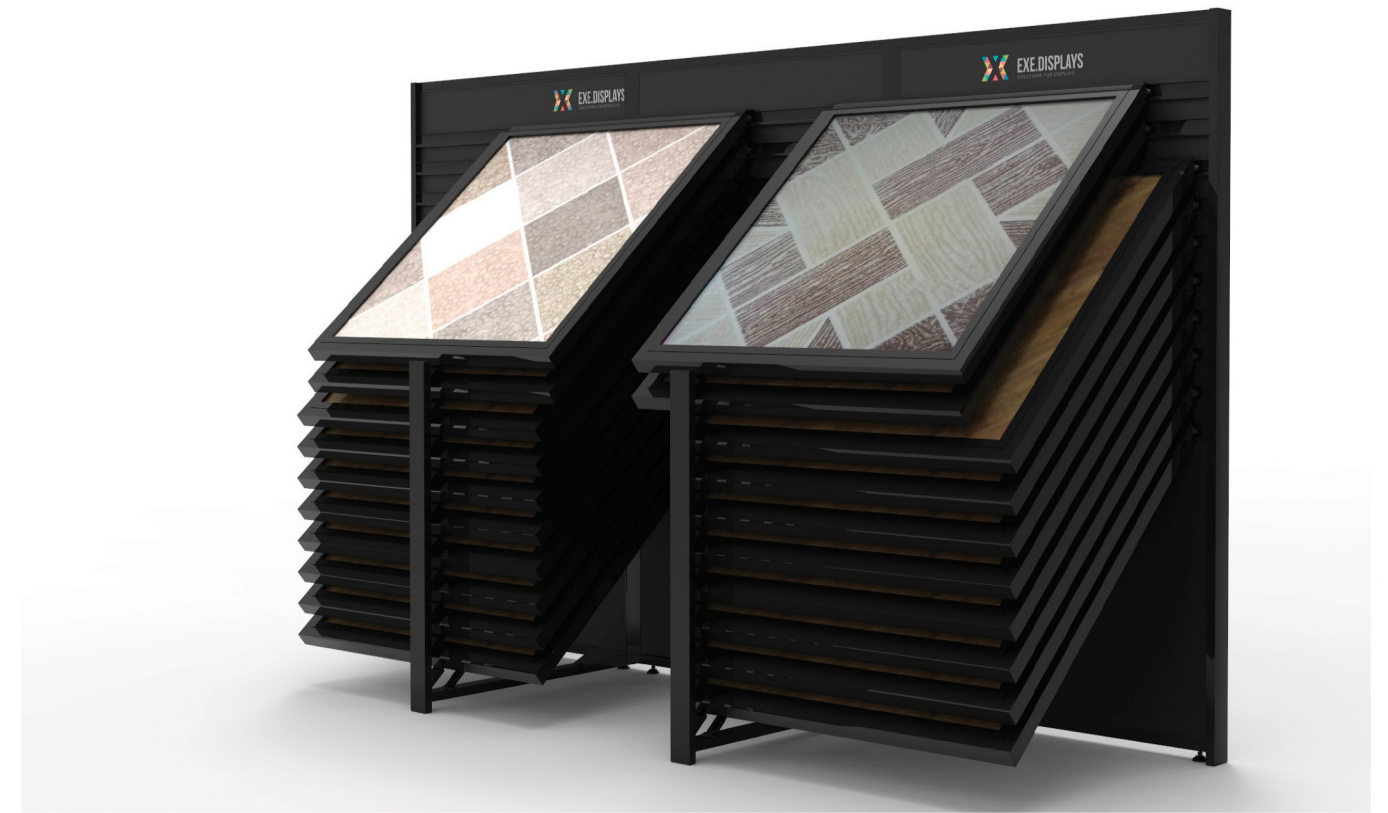
The B Series provides a different perspective showing horizontal or 45 ° angle, for better display of your products.

Available Panels  
1205x1205,605x1205,1005x1005,905x905,805x805

B1 10P 121



B2 20P 121





# Yellow Series

[www.exedisplays.com](http://www.exedisplays.com)



## Showroom&Sales

Main Showoom:  
flat 10th,block D1, greenlake square,  
west Jihua Rd, Foshan.  
+86-757-83050125  
Showroom@Ceramic City: A526A, 5th Floor,  
Ceramic City Foshan.  
+86-757-82725735

[sales@exedisplay.com](mailto:sales@exedisplay.com)



web

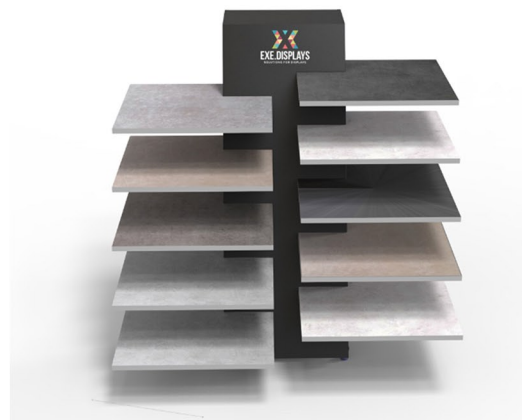
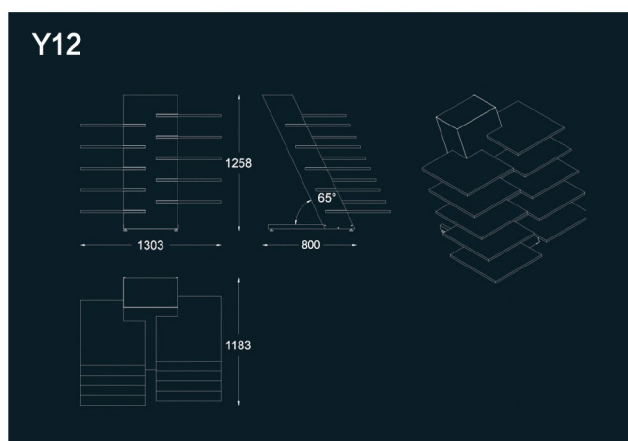
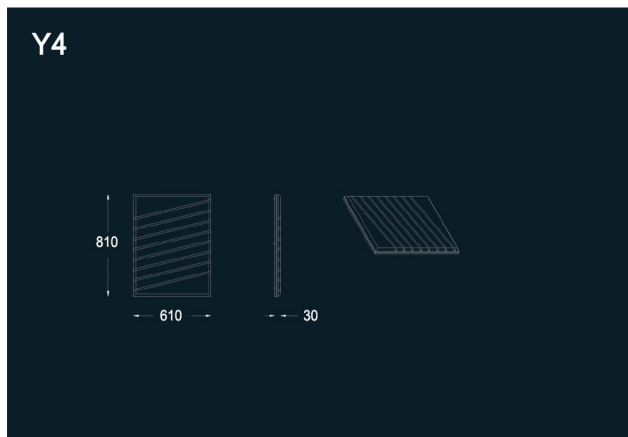
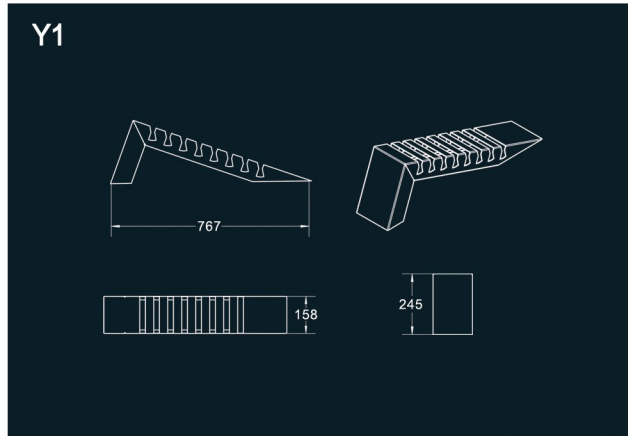


wechat

[www.exedisplays.com](http://www.exedisplays.com)

# YELLOW SERIES

The Y series are compact cradles to display sample pieces, and helpful to the display system of the showroom.





# Violet Series

OEM&ODM SERVICE



## Showroom&Sales

Main Showroom:  
flat 10th,block D1, greenlake square,  
west Jihua Rd, Foshan.  
+86-757-83050125

Showroom@Ceramic City: A526A, 5th Floor,  
Ceramic City Foshan.  
+86-757-82725735

[sales@exedisplay.com](mailto:sales@exedisplay.com)



web



wechat



www.exedisplays.com

# OUR WORKS



## Showroom&Sales

Main Showroom:  
flat 10th,block D1, greenlake square,  
west Jihua Rd, Foshan.  
+86-757-83050125  
Showroom@Ceramic City: A526A, 5th Floor,  
Ceramic City Foshan.  
+86-757-82725735  
sales@exedisplay.com



web



wechat

www.exedisplays.com





L&D CERAMICS  
model | R7S



EAGLE CERAMICS  
model | R7S



TREND CERAMICS  
model | W2S



ELEMENT CERAMICS  
model | R4 Turn / W2S





KITO CERAMICS  
model | R7S



GUANXINGWANG  
CERAMICS  
model | R5



KITO CERAMICS  
model | W2S / R2



MARCO POLO  
CERAMICS  
model | R7 / O-BOX





ROMARIO CERAMICS  
model | R7S



Shangpin Home  
model | R5



NATURE HOME  
model | R7 / R5 / B2



REX CERAMICS  
model | R7S



# Clients





